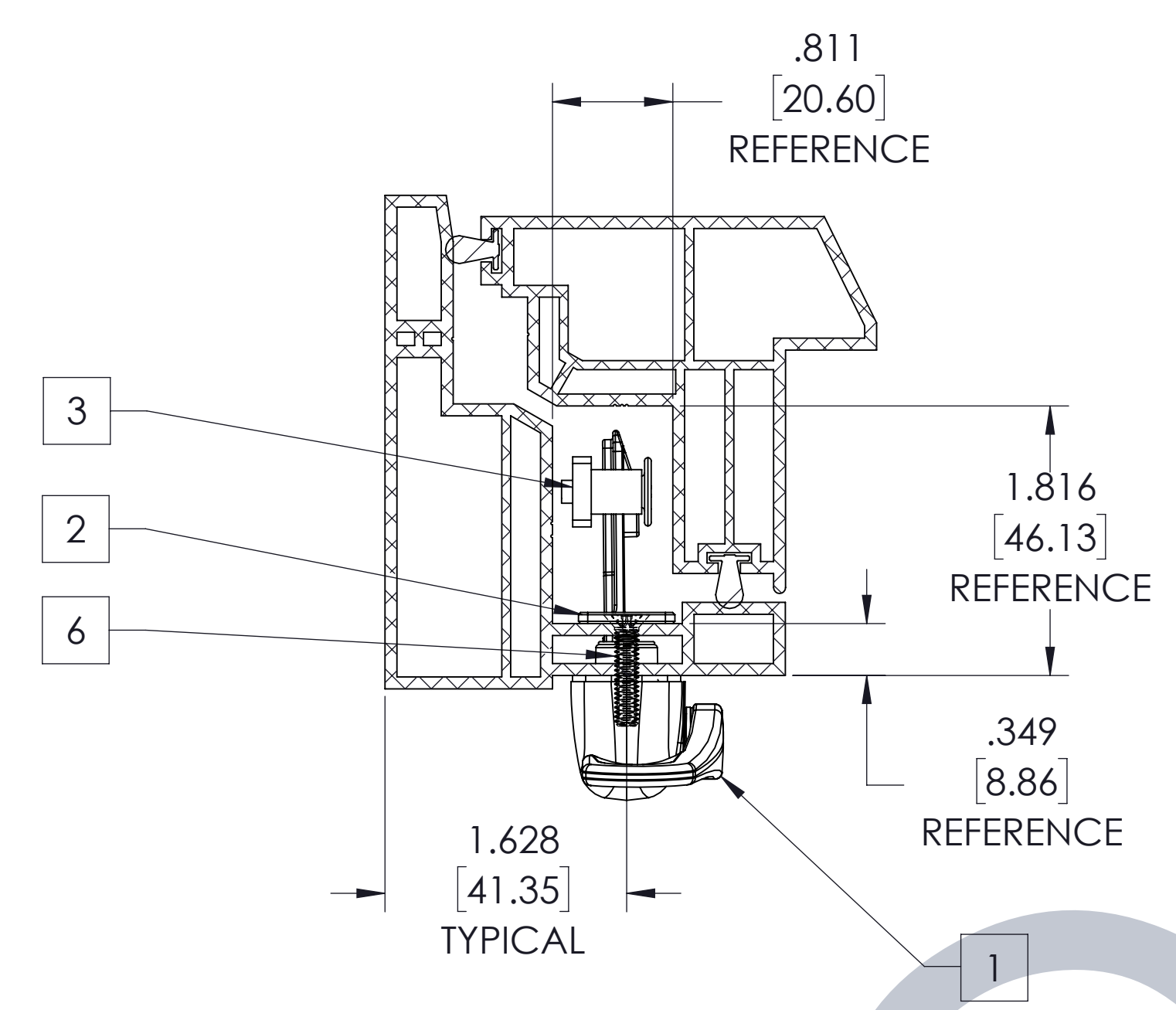
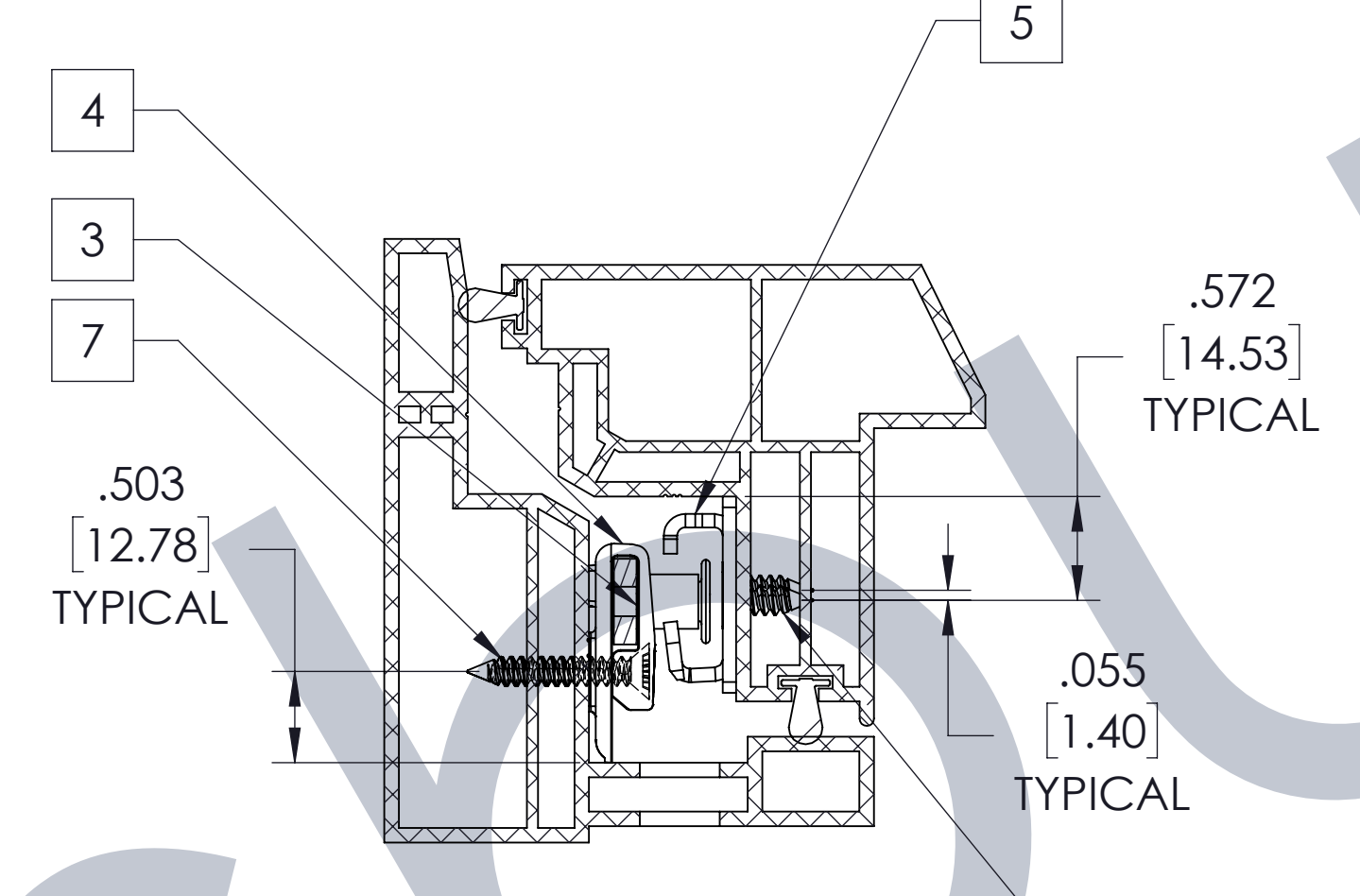


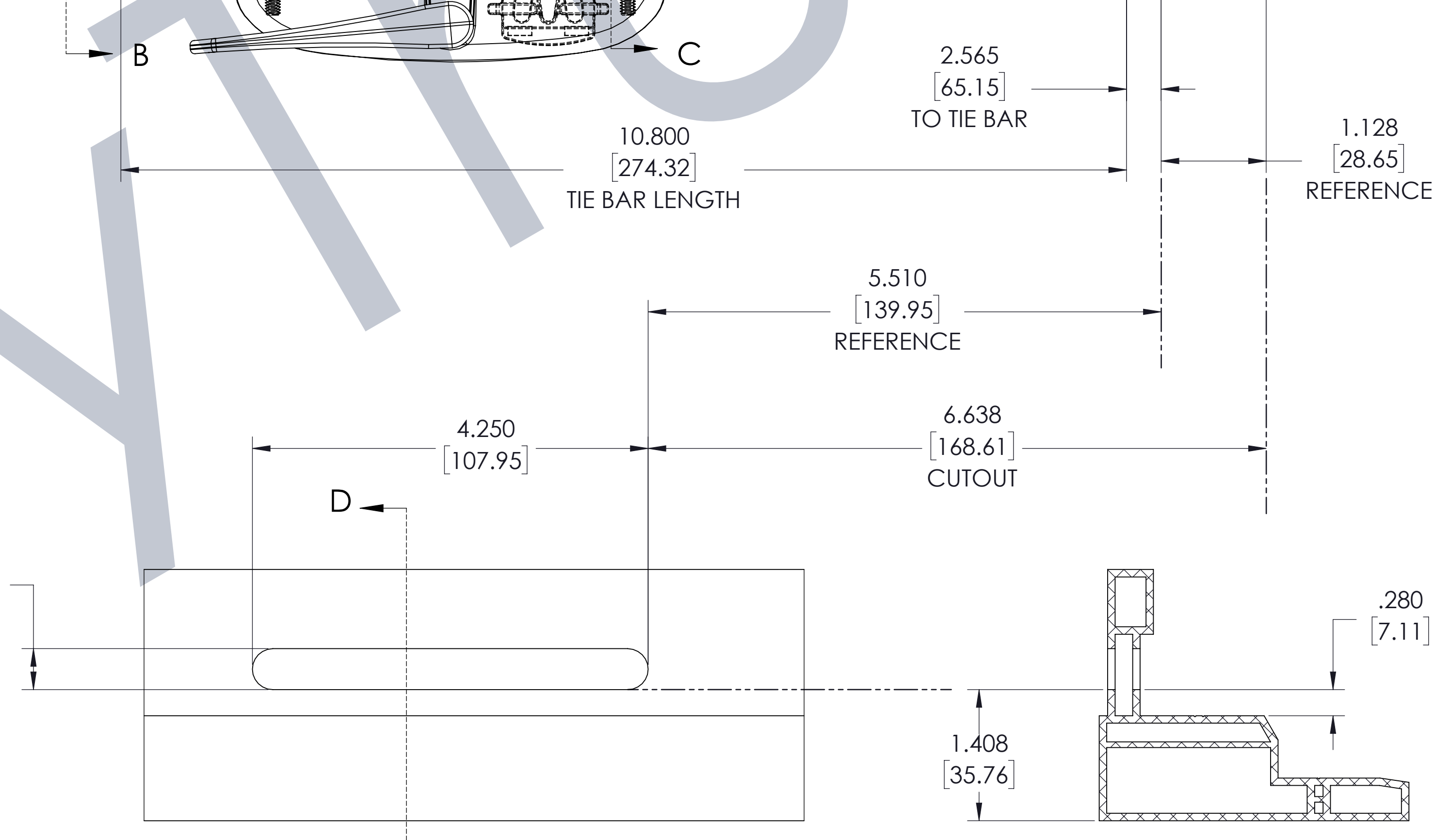
SECTION A-A
SCALE 1:1



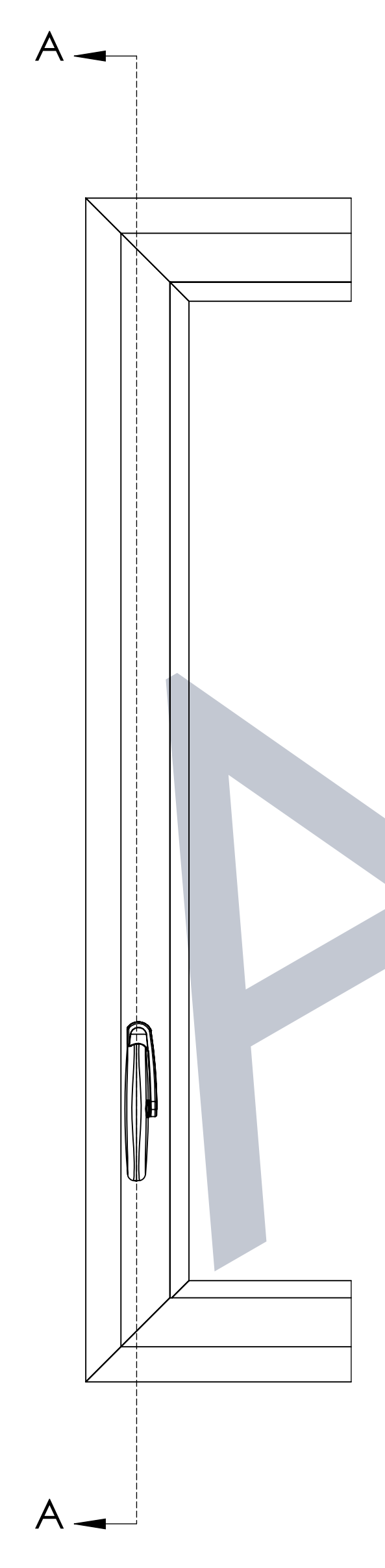
SECTION B-B
SCALE 1:1



SECTION C-C
SCALE 1:1



SECTION D-D
SCALE 1:1



ITEM NO.	PART NUMBER	DESCRIPTION	QTY.
1	V-1492-22	CASEMENT LOCK ACTUATOR ASSY., EXTENDED, GASKET	2
2	S-1492-09	OPTIMA FULL SURROUND BACKPLATE	2
3	V-1494-XXB	OPTIMA MP TIE BAR VINYL	2
4	2008741	OPTIMA RETAINER A=.04 B=.04 C=.499 D=1.21	4
5	2008706	KEEPER, MULTIPPOINT NH	2
6	N-A	SCREW, 8-32 X 3/4 PH FH MS SS18-8	4
7	19250	SCREW 8X1 PH FH SMS 18-8	8
8	14102	SCREW 8X.50 PH FH SMS SS18-8	8

NOTE:
IT IS RECOMMENDED TO USE TWO LOCK SYSTEMS, ONE ON EACH JAMB FRAME OF AN AWNING WINDOW.